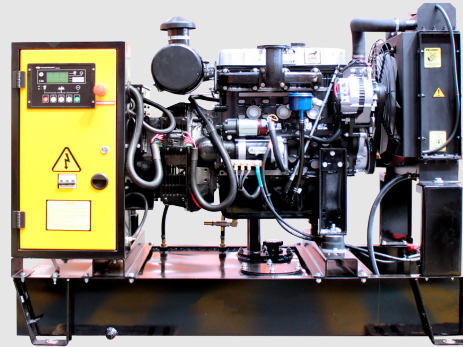


MODEL	POWER		VOLTAGE	FREQUENCY	POWER FACTOR	CURRENT
	PRIME	STAND BY				
MP-14E	12.1 Kw/15.1 KVA	13.4 Kw/16.8 KVA	208V	60Hz	0.8	46 A
MP-14E	12.1 Kw/15.1 KVA	13.4 Kw/16.8 KVA	440V	60Hz	0.8	22 A
MP-14E	12.1 Kw/15.1 KVA	13.4 Kw/16.8 KVA	480V	60Hz	0.8	20 A



SILENT GENERATOR SET



OPEN GENERATOR SET

\* Note: All pictures shown are for illustration purpose only. Actual product may vary due to product enhancement.

## Specifications

### Generator Set

Model	MP-14E	
Engine	PERKINS 403D-15G Tier 4 interim	
Alternator	STAMFORD SOL1-P1	
Control Panel	Electronic	
Phases	Three-phase	
Fuel Tank	Open: 11 Gallons / Silent: 25 Gallons	
Electric System	12V.	
Frequency	60Hz	50Hz
Cooling Fan Air flow	35 m3/min	25 m3/min
Combustion Air flow	1.23 m3/min	1.10 m3/min
Exhaust Gas flow	3.36 m3/min	2.90 m3/min
Exhaust Gas temperature	505°C	490°C

Silent Genset	Maximum	Ambient
Noise Level @ 7m	65 +/- 2 dBA	54 dBA

### Engine

Number of Cylinders	3 in-line
Governor Type	Mechanical
Cycle	4-Stroke
Aspiration	Naturally aspirated
Fuel	Diesel
Combustion System	Indirect Injection
Cooling Method	Water Cooled
Bore	84.00 mm
Stroke	90.00 mm
Displacement	1496cc
Compression Ratio	22.5:1
Lubrication Sys. Capacity	6.00 liters
Cooling Sys. Capacity	6.00 liters

### Fuel Consumption

Engine Speed	1800 RPM	1500 RPM
	l/hr	l/hr
Stand-by Power (2)	4.90	4.10
Prime Power (1)	4.40	3.70
75% Prime Power (1)	3.40	2.80
50% Prime Power (1)	2.50	2.00

### Alternator

Insulation System	Class "H"
Exciter Type	Self exciter
Voltage Regulation Card	AS540 ± 1.0%
Protection Class	IP 23

### Technical Standards

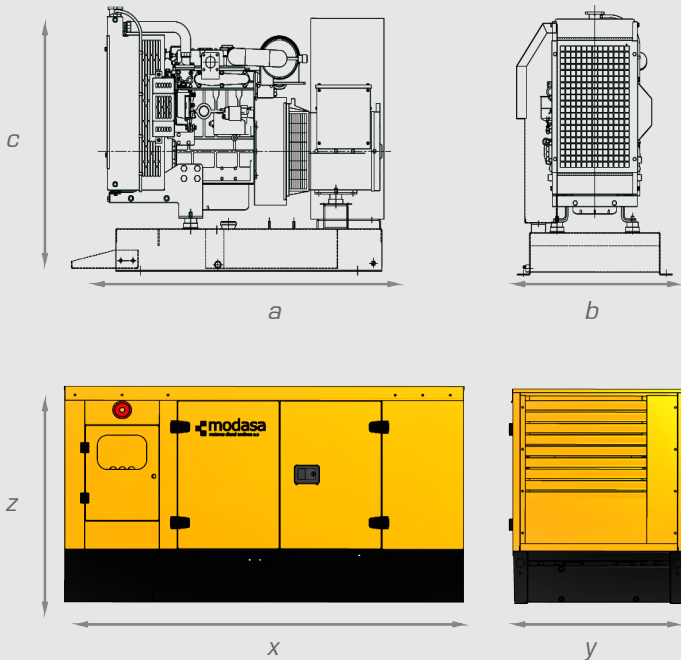
Engine :	ISO 3046, BS 5514, DIN 6271
Alternator :	IEC EN 60034, BS 5000, IEC 34 VDE 0530, NEMA MG1-32 CSAC22, 2-100, ASI 1359
Generator Set :	ISO 8528, ISO 9001:2015

(1) Prime Power: Available power under variable load for unlimited hours per year (ISO8528-1). Allows 10% power surge for one hour, every 12 hours.

(2) Standby Power: Available power under variable load, whenever the commercial network breaks down. Does not accept surges (ISO8528-3); it has 500 hours usage limit per year or 300 continuous hours instead.

## Dimensions

Dimensions and Weights	a	b	c	Weight	Exh. Ø
	1395 mm	664 mm	1018 mm	450 Kg	2"
Dimensions and Weights	x	y	z	Weight	Exh. Ø
	1760 mm	939 mm	1191 mm	690 Kg	2.5"



## Control Panel



Outfitted with the most recent age electronic digital control panel, it allows starting, controlling, protecting and stopping the generator set in manual and automatic modes. Performs automatic transfer.

Measurements shown with alpha-numeric characters on the digital display:

- Voltage of the three phases L - L y L - N.
- Current of the three phases L1, L2, L3.
- Frequency.
- Rotation speed.
- Battery voltage.
- Working time.
- Oil pressure.
- Cooling temperature.

## Optional Enhancements

- Residential muffler. (included in Silent Genset)
- Monoblock water heater.
- Alternator dehumidifying resistance.
- Electronic governance.
- Automatic transfer board.
- Variety of voltages.
- Remote speed/voltage potentiometer.
- Fuel level electric meter.

### Protection:

- Starter failure.
- Stop failure.
- Low oil pressure.
- High engine temperature.
- Low / High frequency.
- Low / High generator voltage.
- Low / High battery voltage.
- Emergency stop.
- Overload fault.
- CAN diagnosis.

M: Modasa / P: PERKINS Engine / 14: Genset Power Reference / Q: 50 Hz 1500 RPM / I: Silent / M: Single-phase / E: EPA Tier

**UQ-POWER**  
Energy Equipment

3785 Duck Creek Drive  
Po Box 32230  
Stockton, Ca. 95215  
(800) 760-9598  
www.uq-power.com



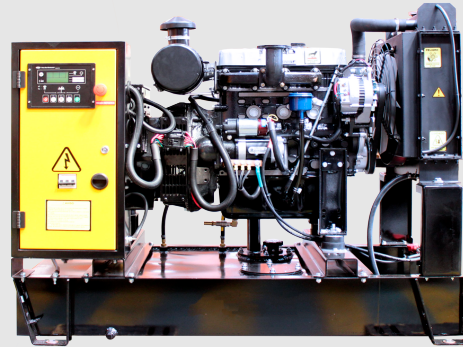
**modasa**

Plant: Lurín Peru

MODEL	POWER		VOLTAGE	FREQUENCY	POWER FACTOR	CURRENT
	PRIME	STAND BY				
MP-14EM	11.6 Kw/11.6 KVA	12.8 Kw/12.8 KVA	240V	60Hz	1.0	53 A



SILENT GENERATOR SET



OPEN GENERATOR SET

\* Note: All pictures shown are for illustration purpose only. Actual product may vary due to product enhancement.

## Specifications

### Generator Set

Model	MP-14EM
Engine	PERKINS 403D-15G Tier 4 interim
Alternator	STAMFORD SOL2-F1
Control Panel	Electronic
Phases	Single-phase
Fuel Tank	Open: 11 Gallons / Silent: 25 Gallons
Electric System	12V.
Frequency	60Hz                      50Hz
Cooling Fan Air flow	35 m3/min                  25 m3/min
Combustion Air flow	1.23 m3/min                1.10 m3/min
Exhaust Gas flow	3.36 m3/min                2.90 m3/min
Exhaust Gas temperature	505°C                        490°C

Silent Genset	Maximum	Ambient
Noise Level @ 7m	65 +/- 2 dBA	54 dBA

### Engine

Number of Cylinders	3 in-line
Governor Type	Mechanical
Cycle	4-Stroke
Aspiration	Naturally aspirated
Fuel	Diesel
Combustion System	Indirect Injection
Cooling Method	Water Cooled
Bore	84.00 mm
Stroke	90.00 mm
Displacement	1496cc
Compression Ratio	22.5:1
Lubrication Sys. Capacity	6.00 liters
Cooling Sys. Capacity	6.00 liters

### Fuel Consumption

Engine Speed	1800 RPM	1500 RPM
	l/hr	l/hr
Stand-by Power (2)	4.90	4.10
Prime Power (1)	4.40	3.70
75% Prime Power (1)	3.40	2.80
50% Prime Power (1)	2.50	2.00

### Alternator

Insulation System	Class "H"
Exciter Type	Self exciter
Voltage Regulation Card	AS540 ± 1.0%
Protection Class	IP 23

### Technical Standards

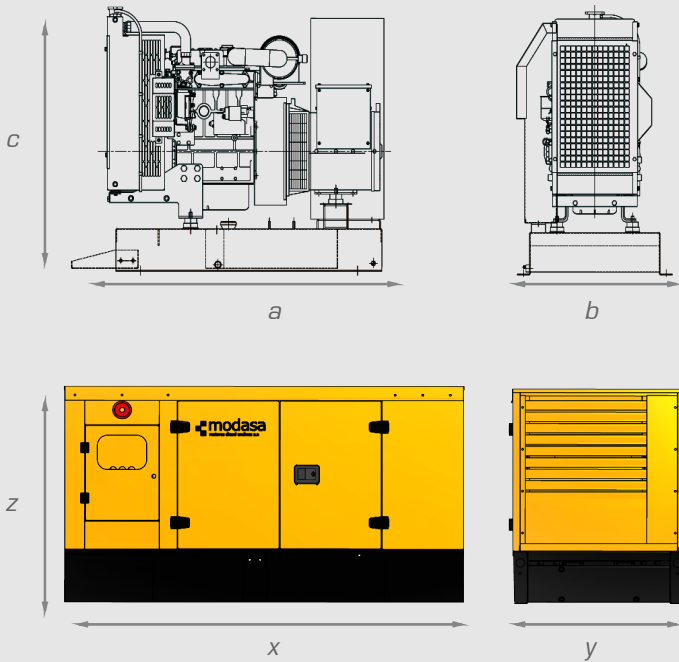
Engine :	ISO 3046, BS 5514, DIN 6271
Alternator :	IEC EN 60034, BS 5000, IEC 34 VDE 0530, NEMA MG1-32 CSAC22, 2-100, ASI 1359
Generator Set :	ISO 8528, ISO 9001:2015

(1) Prime Power: Available power under variable load for unlimited hours per year (ISO8528-1). Allows 10% power surge for one hour, every 12 hours.

(2) Standby Power: Available power under variable load, whenever the commercial network breaks down. Does not accept surges (ISO8528-3); it has 500 hours usage limit per year or 300 continuous hours instead.

## Dimensions

Dimensions and Weights	a	b	c	Weight	Exh. Ø
	1395 mm	664 mm	1018 mm	460 Kg	2"
Dimensions and Weights	x	y	z	Weight	Exh. Ø
	1760 mm	939 mm	1191 mm	700 Kg	2.5"



## Control Panel



Outfitted with the most recent age electronic digital control panel, it allows starting, controlling, protecting and stopping the generator set in manual and automatic modes. Performs automatic transfer.

Measurements shown with alpha-numeric characters on the digital display:

- Voltage of the three phases L - L y L - N.
- Current of the three phases L1, L2, L3.
- Frequency.
- Rotation speed.
- Battery voltage.
- Working time.
- Oil pressure.
- Cooling temperature.

## Optional Enhancements

- Residential muffler. (included in Silent Gen-set)
- Monoblock water heater.
- Alternator dehumidifying resistance.
- Electronic governance.
- Automatic transfer board.
- Variety of voltages.
- Remote speed/voltage potentiometer.
- Fuel level electric meter.

## Protection:

- Starter failure.
- Stop failure.
- Low oil pressure.
- High engine temperature.
- Low / High frequency.
- Low / High generator voltage.
- Low / High battery voltage.
- Emergency stop.
- Overload fault.
- CAN diagnosis.

M: Modasa / P: PERKINS Engine / 14: Genset Power Reference / Q: 50 Hz 1500 RPM / I: Silent / M: Single-Phase / E: EPA Tier